

JP Patent First Publication No.2001-241427

TITLE:TILTING HINGE FOR OA APPARATUS

Abstract:

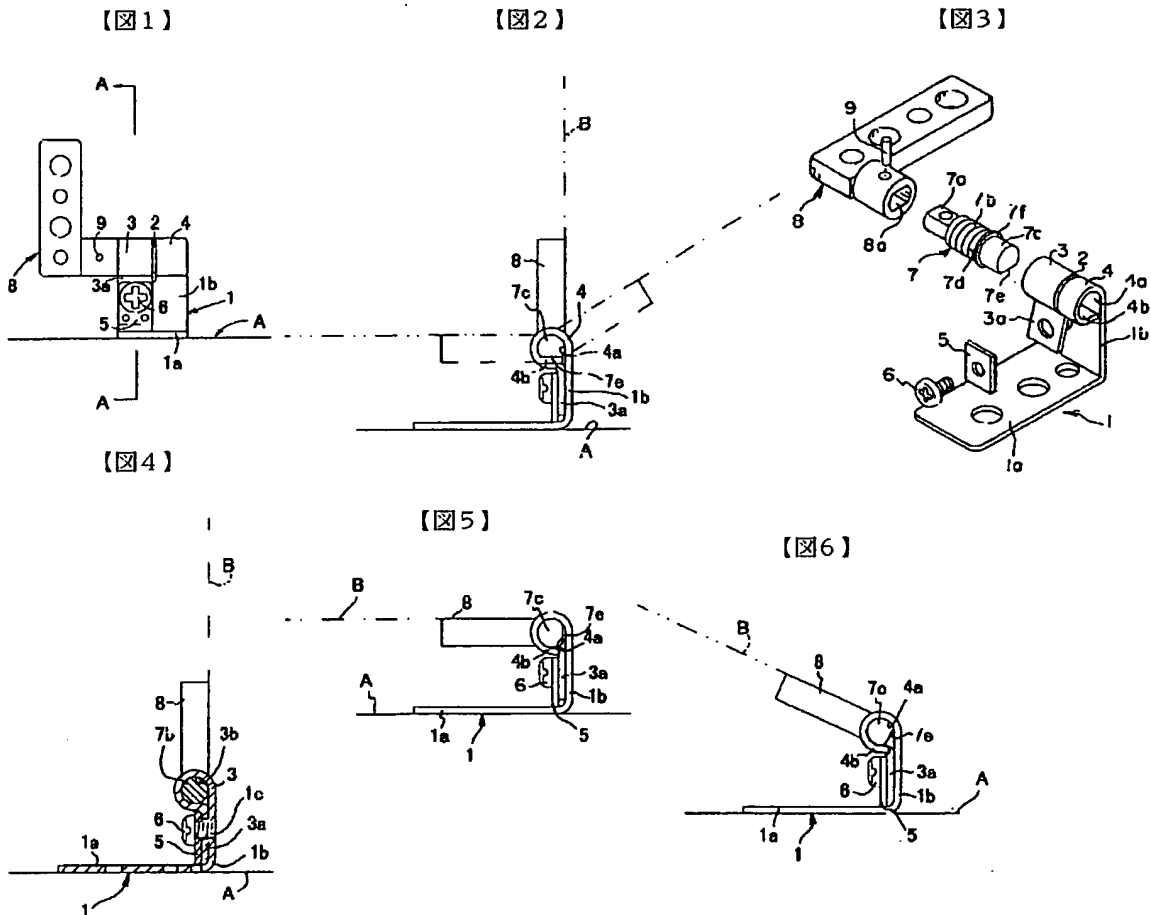
PROBLEM TO BE SOLVED: To provide a tilting hinge for OA apparatus capable of giving a change to the friction torque while a display is in the opening/closing operation.
SOLUTION: A tilting hinge for OA apparatus is composed of a wind-tight part 3 having wind-tight piece 3a and a wind-in part 4 installed on a bearing plate 1b on the side with device body in such a way as possessing the axis commonly, a fastening screw 6 to engage the wind-tight piece with the bearing plate, and a rotary shaft 7 including a sub-torque generating part 7c and a main torque generating part 7b installed on the side with the display, wherein the main torque generating part is inserted in the wind-tight part while the sub-torque generating part is inserted in the wind-in part, and the main friction torque is generated by tightening the main torque generating part of the rotary shaft with the wind-tight piece of the wind-tight part, while a sub-friction torque is generated by fitting by pressure the sub-torque generating part of the rotary shaft into the wind-in part.

を説明する説明図である。

【符号の説明】

- A 装置本体
- B ディスプレー体
- 1 取付部材
- 1a 取付プレート
- 1b 軸受プレート
- 1c 雌ネジ部
- 2 割り溝
- 3 巻絞め部
- 3a 巻絞め片
- 3b 軸受孔
- 4 巻込み部

- 4a 軸受孔
- 4b 平坦部
- 5 ワッシャー
- 6 締付ネジ
- 7 回転シャフト
- 7a 取付部
- 7b メイントルク発生部
- 7c サブトルク発生部
- 7d 油溜溝
- 7e 平坦部
- 7f 鍔部
- 8 ブラケット
- 9 ピン



【手続補正書】

【提出日】平成12年11月17日(2000. 11. 17)

【手続補正1】

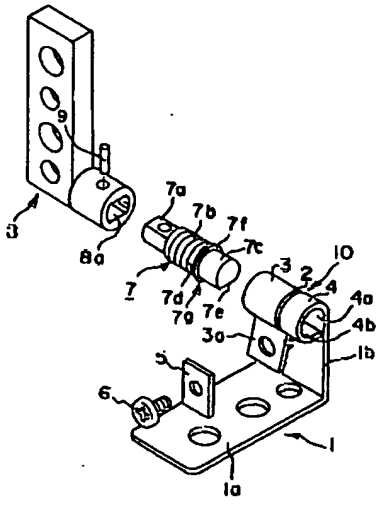
【補正対象書類名】図面

【補正対象項目名】図3

【補正方法】変更

【補正内容】

【図3】



BEST AVAILABLE COPY